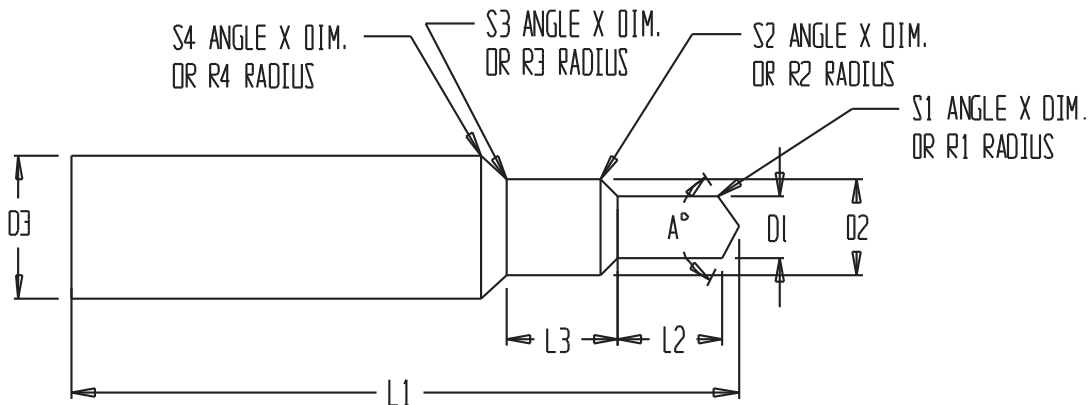


1-800-274-4686

generic step

www.ntminc.com



A= \_\_\_\_\_ MATERIAL: \_\_\_ SOLID CARBIDE \_\_\_ HSS

D1= \_\_\_\_\_ NUMBER OF FLUTES \_\_\_ 2 \_\_\_ 3

D2= \_\_\_\_\_ FLUTE \_\_\_ STRAIGHT \_\_\_ HELICAL

D3= \_\_\_\_\_ D2 \_\_\_ CUTTING \_\_\_ NON CUTTING

L1= \_\_\_\_\_ COOLANT THRU \_\_\_ YES \_\_\_ NO

L2= \_\_\_\_\_ L3= \_\_\_\_\_

S1= ANGLE \_\_\_\_\_ DIM \_\_\_\_\_ OR R1=RADIUS \_\_\_\_\_

S2= ANGLE \_\_\_\_\_ DIM \_\_\_\_\_ OR R2=RADIUS \_\_\_\_\_

S3= ANGLE \_\_\_\_\_ DIM \_\_\_\_\_ OR R3=RADIUS \_\_\_\_\_

S4= ANGLE \_\_\_\_\_ DIM \_\_\_\_\_ OR R4=RADIUS \_\_\_\_\_

COATING \_\_\_ TiN \_\_\_ TiCN \_\_\_ ALTiN \_\_\_ ALPHA \_\_\_ NONE \_\_\_ OTHER \_\_\_\_\_

MATERIAL TO BE MACHINED \_\_\_\_\_ QUANTITIES \_\_\_\_\_

CUSTOMER NAME: \_\_\_\_\_

PHONE: \_\_\_\_\_ E-MAIL: \_\_\_\_\_

**NTM Inc.**

140 N.E. Liberty St  
Minneapolis, MN 55432  
phone: 763-780-1420  
fax: 763-780-8921

Made In USA